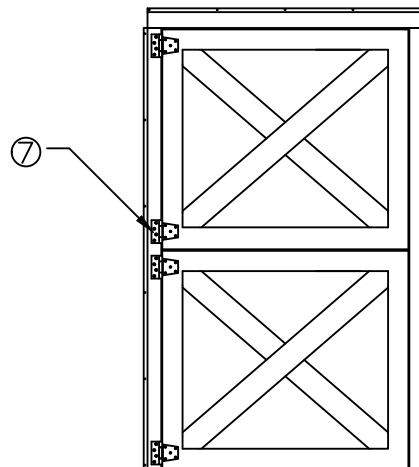
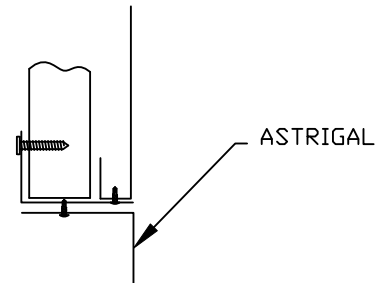
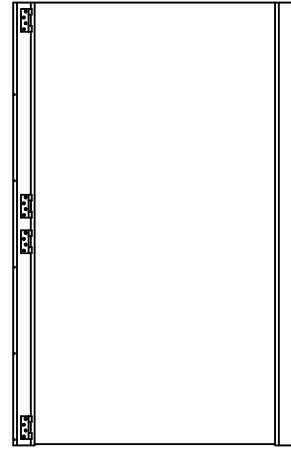




DUTCH DOOR INSTALLATION INSTRUCTIONS

- ① FRAME OPENING $49\frac{3}{8}" +\frac{1}{16}"/-0"$ X $87\frac{1}{2}"$. PLUMB AND SQUARE.
- ② POSITION HINGE AND LATCH SIDE FRAMES IN ROUGH OPENING AND PILOT DRILL MOUNTING HOLE LOCATIONS USING A $\frac{1}{8}"$ DRILL BIT. ATTACH HINGE AND LATCH SIDE DOOR FRAMES TO OPENING. (#10 X 1" PANCAKE HEAD FASTENERS PROVIDED)
- ③ TOP AND BOTTOM OF FRAMES SHOULD FIT SNUG IN FRAME OPENING
- ④ CENTER DOOR HEADER BETWEEN HINGE AND LATCH SIDE OF FRAMES, PILOT DRILL MOUNTING HOLE LOCATIONS USING A $\frac{1}{8}"$ DRILL BIT AND FASTEN TO OPENING. (#10 X 1" PANCAKE HEAD FASTENERS PROVIDED)
- ⑤ INSTALL BOTTOM DOOR PANEL BY HOLDING IN PLACE AND INSTALLING HINGE PINS.
- ⑥ ATTACH ASTRIGAL TO TOP DOOR PANEL WITH #8 X $\frac{1}{2}$ PHILLIPS HEAD SCREWS (PROVIDED).
- ⑦ THE LOWER HINGE FOR THE TOP PANEL IS LEFT LOOSE AT THE FACTORY SO THE LOWER PANEL CAN BE INSTALLED FIRST. TIGHTEN LOOSE HINGE ON FRAME AFTER INSTALLING BOTTOM DOOR PANEL.
- ⑧ INSTALL TOP DOOR PANEL BY HOLDING IN PLACE AND INSTALLING HINGE PIN.
- ⑨ THE CATCH KIT HAS SEPERATE INSTRUCTIONS.





DUTCH DOOR CATCH KIT INSTALLATION INSTRUCTIONS

ITEMS SUPPLIED IN DOOR CATCH KIT:

- (1) $\frac{5}{16}$ " X 4" EYE BOLT
- (1) #10-16 X 1" PANCAKE SELF TAPPING SCREW
- (1) DOOR CATCH
- (4) DOOR FRAME BUMPERS (DUTCH DOOR)
- (2) DOOR FRAME BUMPERS (BALE DOOR)
- (6) #12 X $\frac{3}{4}$ " HEX HEAD SCREWS

