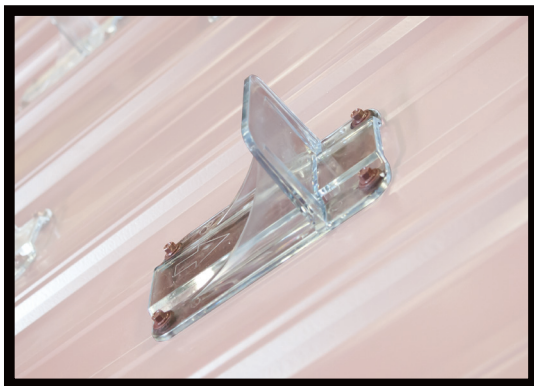




Snow Jacks



- Used for all types of steel roofing products
- Clear polycarbonate
- Virtually unbreakable

*Silicone all screw locations.



- 10' lengths
- Available in 25 colors
- Sits on top of Pro-Rib® and Premium Pro-Rib® panels to allow drainage

*Install 2 screws per rib. Silicone all screw locations.



- Clips attach at every rib (six clips per 8' snow bar)
- No fasteners through the panel
- Rigid 8' aluminum bar
- Premium Pro-Snap® color insert available in 25 colors

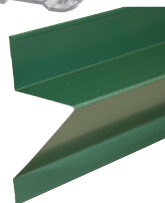
Snow Jacks

Clear Polycarbonate
3-1/2"W x 6"L x 2-1/2"H
SKU# 157-2676



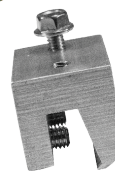
Premium Pro-Rib® Snow Bar

Available in 25 colors and 10' Lengths
SKU# 156-6741



Premium Pro-Snap® Snow Bar

Premium Pro-Snap® Clip
SKU# 156-6731



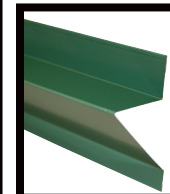
Premium Pro-Snap® Snow Bar
SKU# 156-6733



Premium Pro-Snap® Snow Bar Color Insert
SKU# 156-6736



SNOW RETENTION PRODUCTS FOR STEEL ROOFING



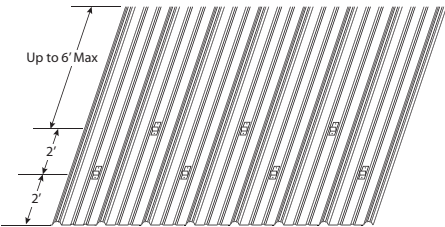
www.midwestmanufacturing.com



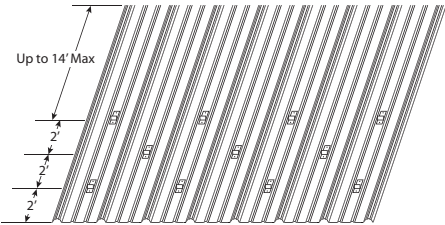
Snow Jacks Recommended Spacing



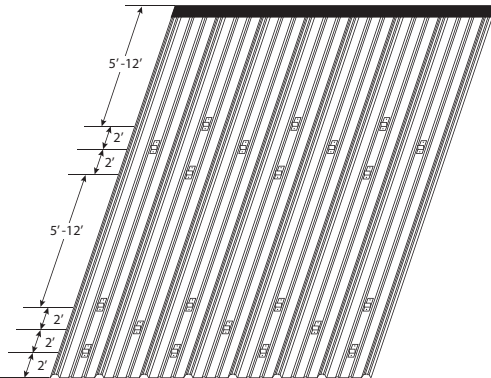
For Roof Runs Under 10'



For Roof Runs 10'-20'



For Roof Runs 20'-34'



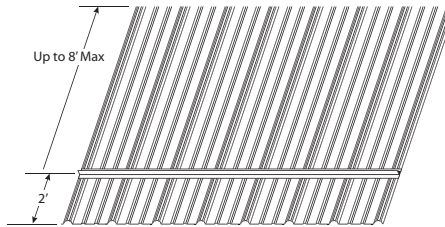
*Top screws in snow jacks should be installed into purlin or roof sheathing. Silicone screw locations.



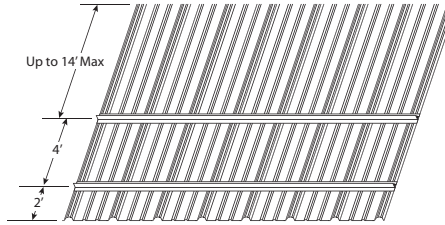
Snow Bar Recommended Spacing



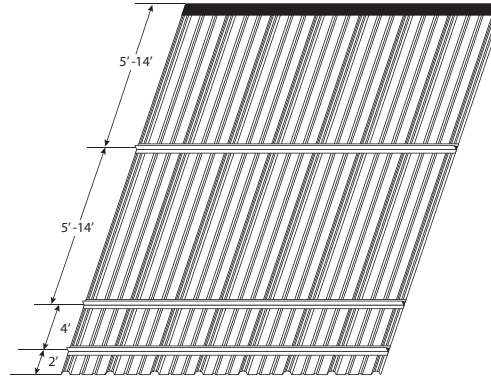
For Roof Runs Under 10'



For Roof Runs 10'-20'



For Roof Runs 20'-34'



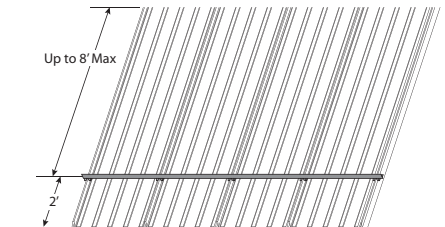
*Top screws in snow bar should be installed into purlin or roof sheathing. Silicone screw locations.



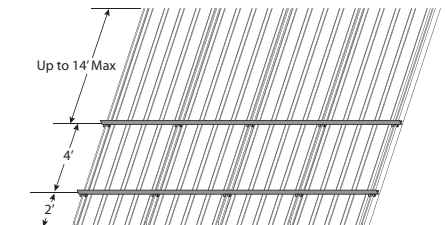
Snow Bar Recommended Spacing



For Roof Runs Under 10'



For Roof Runs 10'-20'



For Roof Runs 20'-34'

